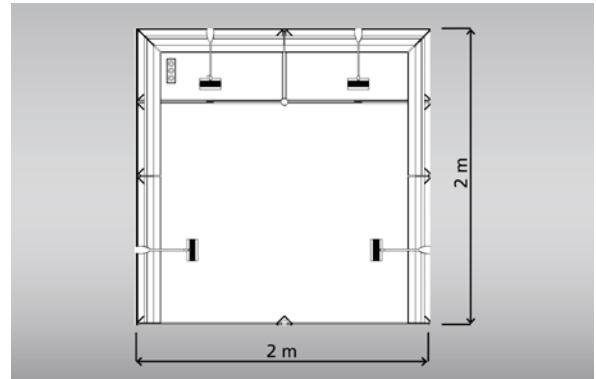
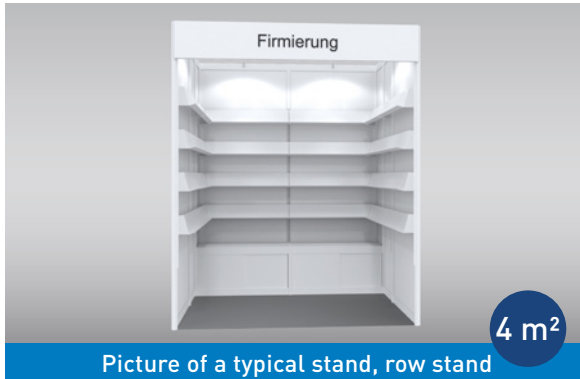




COMPLETE STANDS

Small stand classic S (4 m²)



Our services

- | **Partition wall system**, 100x250 cm (WxH), white (other colours at additional price)
- | **Lettering** (Futura, dark grey), 10 cm high, max. 25 signs
- | **Fascia**, 30 cm high, white
- | **Bookshelves**, white
- | **Platforms with sliding doors**, white (please order door lock separately)
- | **Lighting**, 3 Long-arm spotlight
- | **Needle-felt floor covering**
- | **Triple socket** (The power connection will be charged separately and is compulsory)

Additional services

Depending on the registered size of your stand, you will receive a number of free exhibitor passes and can register events for the Leipzig liest reading festival. You can find out how many in the Special Conditions of Participation or on page 20.

Sample quote	Registration by 30.09.2022 (Early-bird)	Registration from 01.10.2022
Trade fair rental incl. stand construction (4 m ²)	€ 752.00	€ 828.00
minus 30% subsidy from the economic stimulus programme*	€ - 225.60	€ - 248.40
AUMA fee	€ 2.40	€ 2.40
Electrical connection (compulsory)	€ 154.00	€ 154.00
Communication flat rate (i.e. compulsory entry in the exhibitor directory)	€ 89.00	€ 89.00
Free exhibitor passes (for the main exhibitor according to Stand size + one pass for each co-exhibitor)	2 passes	2 passes
Co-exhibitor fee, where applicable		
Leipzig liest fee 1, where applicable		
Leipzig liest fee 2, where applicable		
Total costs	€ 771.80	€ 825.00

* discount of 30% for stands of up to and including 8 m² / 15% from stands of 9 m² and over, funded by the NEUSTART KULTUR economic stimulus programme

Updated: October 2022, subject to change