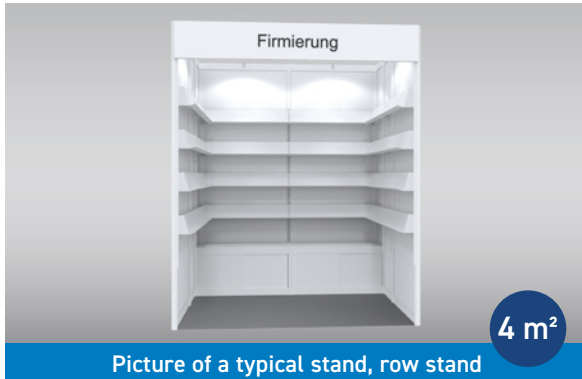


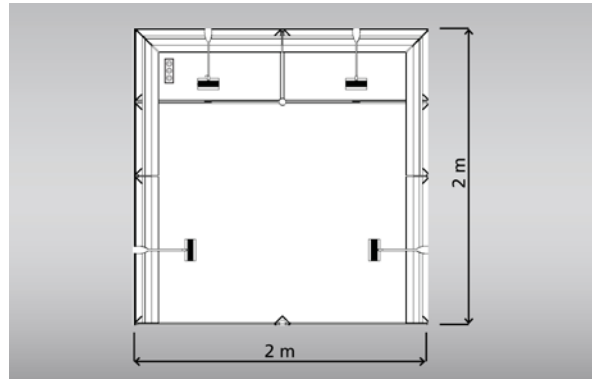


COMPLETE STANDS

Small stand S (4 m²)



Picture of a typical stand, row stand



Our services

- | **Partition wall system**, 100x250 cm (WxH), white (other colours at additional price)
- | **1 Logo or 1 Lettering** (Futura, dark grey), 10 cm high, max. 25 signs
- | **Fascia**, 30 cm high, white
- | **Bookshelves**, white
- | **Platforms with sliding doors**, white (please order door lock separately)
- | **Lighting**, Long-arm spotlight
- | **Needle-felt floor covering** anthracite, 3000
- | **Triple socket** (The power connection will be charged separately and is mandatory)

Additional services

Depending on the registered size of your stand, you will receive a number of free exhibitor passes (2 passes) and can register events for the Leipzig liest reading festival (according to area key 1 event). You can find out how many in the Special Conditions of Participation or on page 24.

Sample quote	Registration by 31.08.2024 (Special price)	Registration from 01.09.2024 (Base price)
Trade fair rental incl. stand construction (4 m ²)	€ 804.00	€ 888.00
AUMA fee	€ 2.40	€ 2.40
Electrical connection (mandatory)	€ 187.00	€ 187.00
Communication flat rate (i.e. mandatory entry in the exhibitor directory)	€ 98.00	€ 98.00
Free exhibitor passes (for the main exhibitor according to Stand size + one pass for each co-exhibitor)	2 passes	2 passes
Co-exhibitor fee, where applicable		
Leipzig liest fee 1, where applicable		
Total costs	€ 1,091.40	€ 1,175.40

All prices plus VAT.